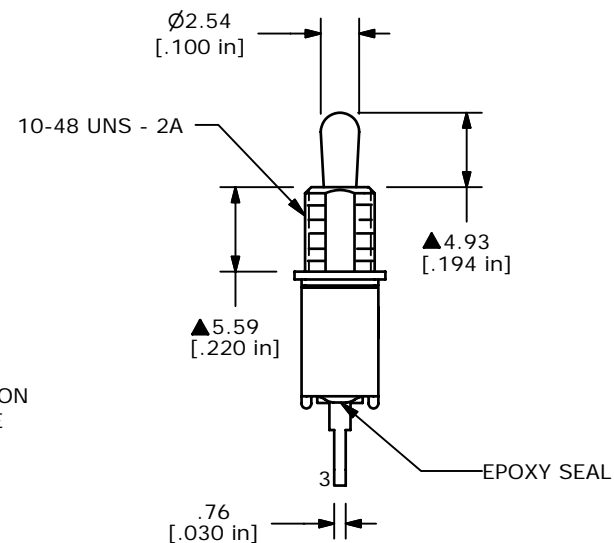
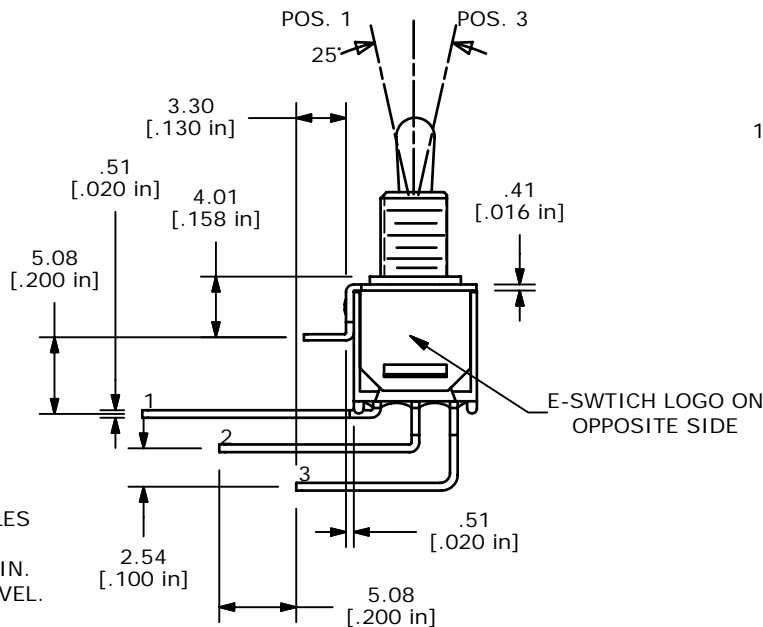
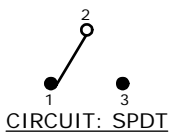


ISOMETRIC

SWITCH FUNCTION		
POS. 1	POS. 2	POS. 3
ON	NONE	ON
2-3	N/A	2-1



NOTE:

- ALL DIMENSIONS IN MM [INCH]
- GENERAL TOLERANCE: X.X=±0.4
X.XX=±0.25
- TERMINAL NUMBERS FOR REF ONLY
- CONTACT MATERIAL: SILVER
- RATING: 3A @ 120VAC OR 28VDC
1A @ 250VAC
- ELECTRIC LIFE: 30,000 MAKE-AND-BREAK CYCLES AT FULL LOAD.
- INSULATION RESISTANCE: 1,000 MEGA-OHM MIN.
- DIELECTRIC STRENGTH: 1,000 V RMS @SEA LEVEL.
- OPERATING TEMP.: -30°C to 85°C
- 2002/95/EC (ROHS) COMPLIANT
- ▲ DENOTES CRITICAL PARAMETER.



B	17463	REVISED AND REDRAWN	7/12/07	TN
REV	PCR NO	DESCRIPTION	DATE	BY

TITLE 200MSP1T2B1M7QE				
SCALE	DATE	DR	DWG	REV
2:1	7/12/2007	TN	T211100	B

THE INFORMATION CONTAINED IN THIS DOCUMENT IS PROPRIETARY TO E-SWITCH AND IS NOT TO BE COPIED OR TRANSFERRED